

# Steel Making

## Electric Furnace

Cooling Electrode



BIM Ring Header

## Converter

Cooling Shell



AJP-series

## Ladle & Tundish

Cooling refractories at repair

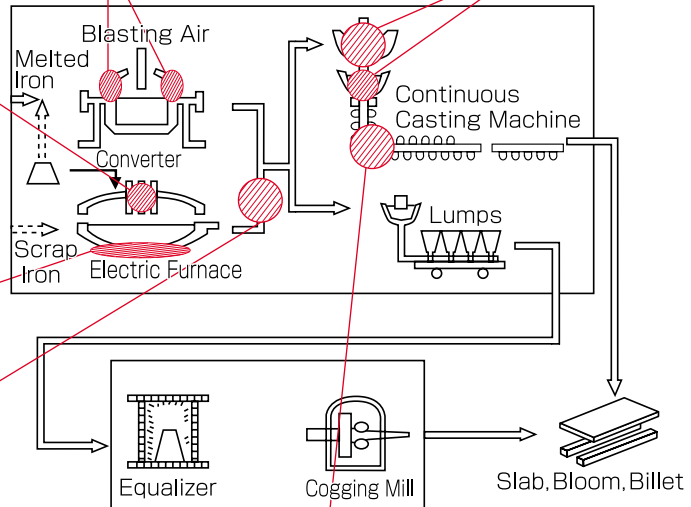


BIM Header

Cooling Shell



AJP-series



## Dust Collector

Cooling waste gas



GSIM-series

## Continuous Casting Machine

Cooling Slabs



DOVEA-series

Cooling Blooms



DDA-series

Cooling Rectangular Billets



DDA-series

Cooling Round Billets



SJJA-series